



A45

1U Active Air Cooler

PRODUCT SPECIFICATIONS

Specification Version: 12/15/2022

(Specifications are subject to change without notice)

Model Number: A45

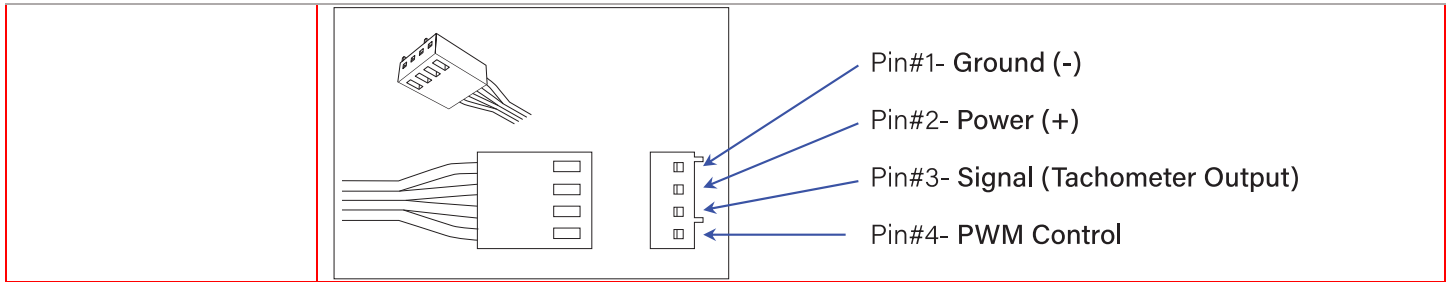
- Recommend for AMD® CPU as following
 - AMD® Ryzen® Processor Family, Socket AM5
- Active Air Cooler for 1U Server and Up

Overall Specification

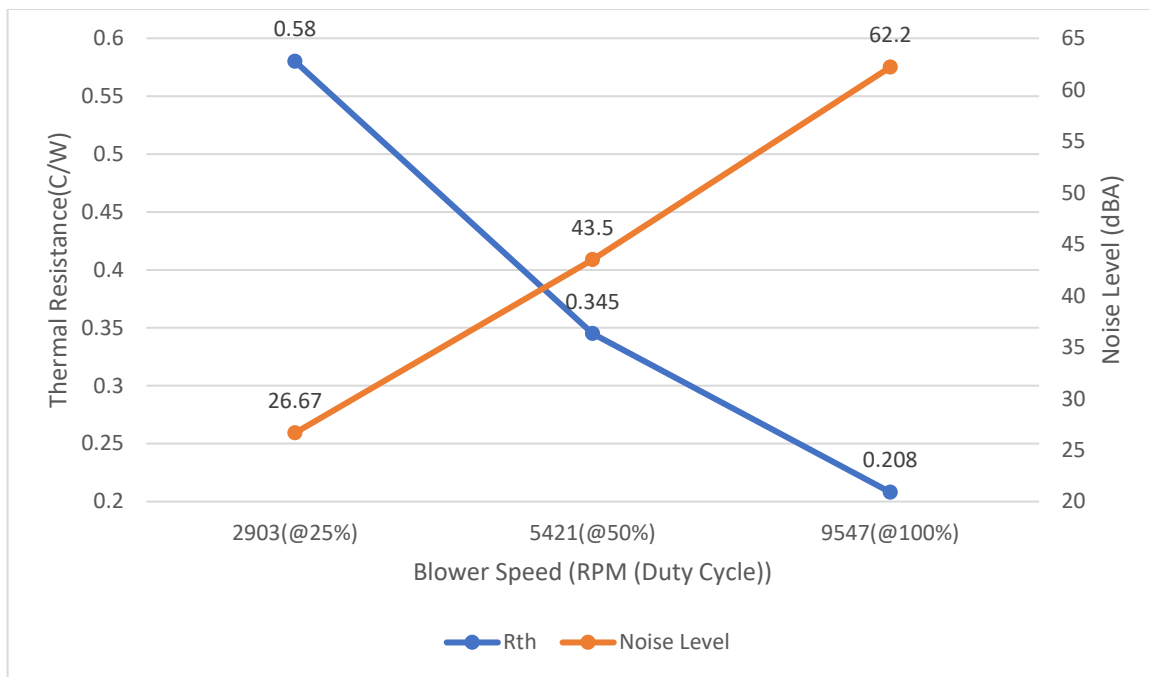
Dimension	110.0 x 85.0 x 27.3 mm
Weight	416 g
Material	Copper Fin + Vapor Chamber
Thermal Grease	Shin-Etsu 7762 or Equivalent
TDP	145W at 30° ambient temperature

Cooling Fan Specification

Model Number	DB128013BU-PWM
Dimension	φ80 x 13 mm
Bearing	Double Ball
Rated Voltage	12V
Rated Speed	At Duty Cycle 0~20%: 2000± 200 RPM At Duty Cycle 50%: 4900± 10% RPM At Duty Cycle 100%: 8700±10% RPM
Input Power	At Duty Cycle 0~20%: 1.08 W At Duty Cycle 50%: 4.7 W At Duty Cycle 100%: 23.45 W
Maximum Airflow	At Duty Cycle 0~20%: 5.59 CFM At Duty Cycle 50%: 14.76 CFM At Duty Cycle 100%: 26.25 CFM
Rated Static Pressure	At Duty Cycle 0~20%: 3.69 mm-H2O At Duty Cycle 50%: 25.28 mm-H2O At Duty Cycle 100%: 89.80 mm-H2O
Acoustical Noise	At Duty Cycle 0~20%: 23.3 dBA At Duty Cycle 50%: 43.5 dBA At Duty Cycle 100%: 62.2 dBA
Lead Wire Pin Out	Pin#1- Black(-) Pin#2- Black(+) Pin#3- Black(Tachometer/ Signal Output) Pin#4- Black (PWM)

A45 | Socket AM5


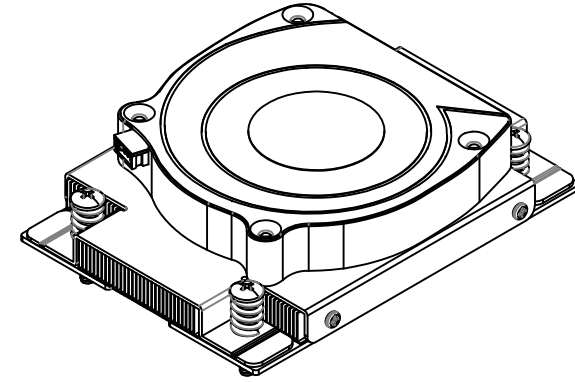
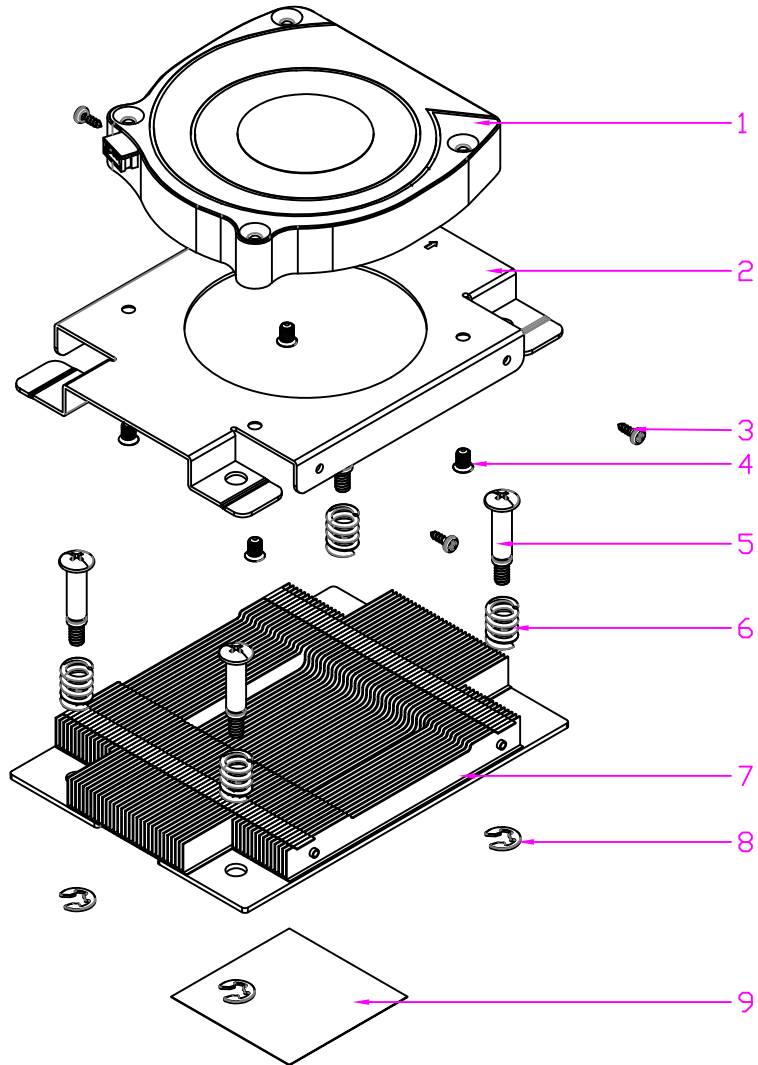
Performance Chart: Active Cooler A45 Thermal Resistance Thermal Resistance vs. Blower Speed @ PWM Duty Cycle




CONFIDENTIAL DOCUMENT

THIS DRAWING CONTAINS INFORMATION PROPRIETARY TO DYNATRON CORPORATION AND DYMAEDN INDUSTRIAL CO., LTD. ANY REPRODUCTION, DISCLOSURE, OR USE OF THIS DRAWING IS EXPRESSLY PROHIBITED EXCEPT AS DYNATRON CORPORATION AND DYMAEDN INDUSTRIAL CO., LTD. MAY OTHERWISE AGREE TO IN WRITING.

REV#	DESCRIPTION	CHECKER	DATE
0.0	INITIAL RELEASE	Engr.	12/15/22

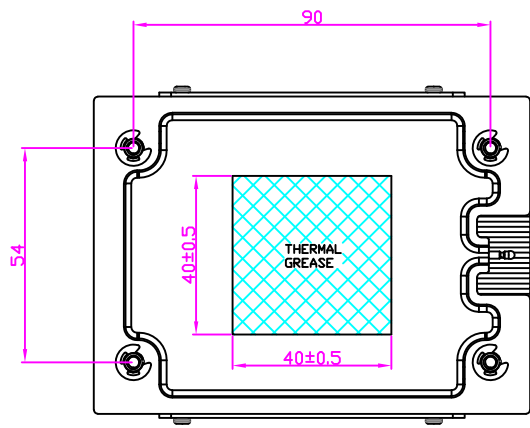
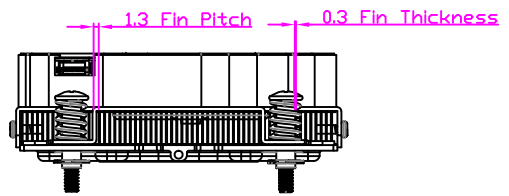
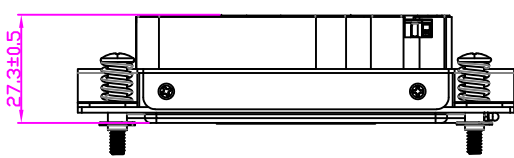
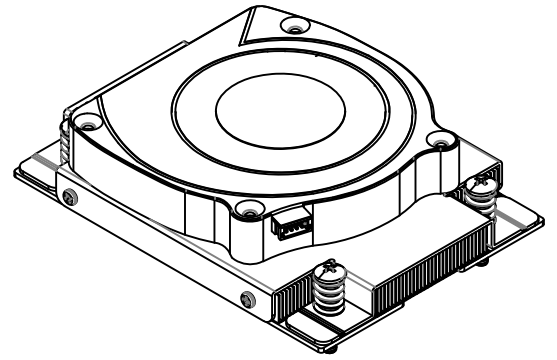
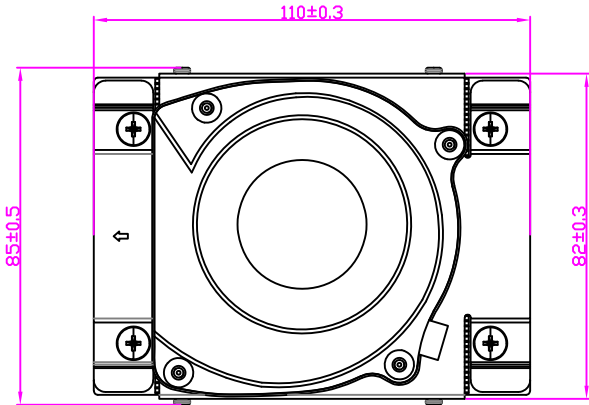


ITEM #	DESCRIPTION	MATERIAL	QTY.
9	THERMAL GREASE	SHIN-ETSU 7762	/
8	C-CLIP	STEEL	4
7	HEATSINK	COPPER	1
6	HEATSINK SPRING	STEEL	4
5	HEATSINK SCREW	STEEL	4
4	BLOWER SCREW	STEEL	4
3	BLOWER BRACKET SCREW	STEEL	4
2	BLOWER BRACKET	SPCC	1
1	BLOWER, DB128013BU	/	1

DATE		NAME		 DYNATRON CORPORATION
12/15/22	12/15/22	Engr.	Engr.	
DRAWN				TITLE: 1U Active Air Cooler A45 BOM & Exploded Assembly Drawing
CHECKED				
ENG. APPR.				
MFG. APPR.				
QA				
COMMENTS				DWG. No: DYN-EP-A45
				REV 0.0

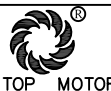
NOTES:
1. THE FIGURE IS FOR REFERENCE ONLY, AND NOT FOR SCALE

REV#	DESCRIPTION	CHECKER	DATE
0.0	INITIAL RELEASE	Engr.	12/15/22



NOTES:
1. THE FIGURE IS FOR REFERENCE ONLY, AND NOT FOR SCALE

	NAME	DATE
DRAWN BY	ENGR	12/15/2022
CHECKED BY	ENGR	12/15/2022
ENG.APPROVED		
MFG.APPROVED	-	-



DYNATRON CORPORATION

TITLE: 1U Active Air Cooler
A45
Overall Dimension Drawing

CONFIDENTIAL DOCUMENT
THIS DRAWING CONTAINS INFORMATION PROPRIETARY TO DYNATRON CORPORATION AND DYNAEON INDUSTRIAL CO., LTD. ANY REPRODUCTION, DISCLOSURE, OR USE OF THIS DRAWING IS EXPRESSLY PROHIBITED EXCEPT AS DYNATRON CORPORATION AND DYNAEON INDUSTRIAL CO., LTD. MAY OTHERWISE AGREE TO IN WRITING.

VIEW		DWG. No:	REV.
UNITS	MM	DYN-DM-A45	0.0

1 2 3 4 5 6 7

A45 | Socket AM5

Publication History:

12/15/2022: Initial Release

(Specifications are subject to change without notice)